

spells comfort at work

SONOMA

MONARCH





# SONOMA

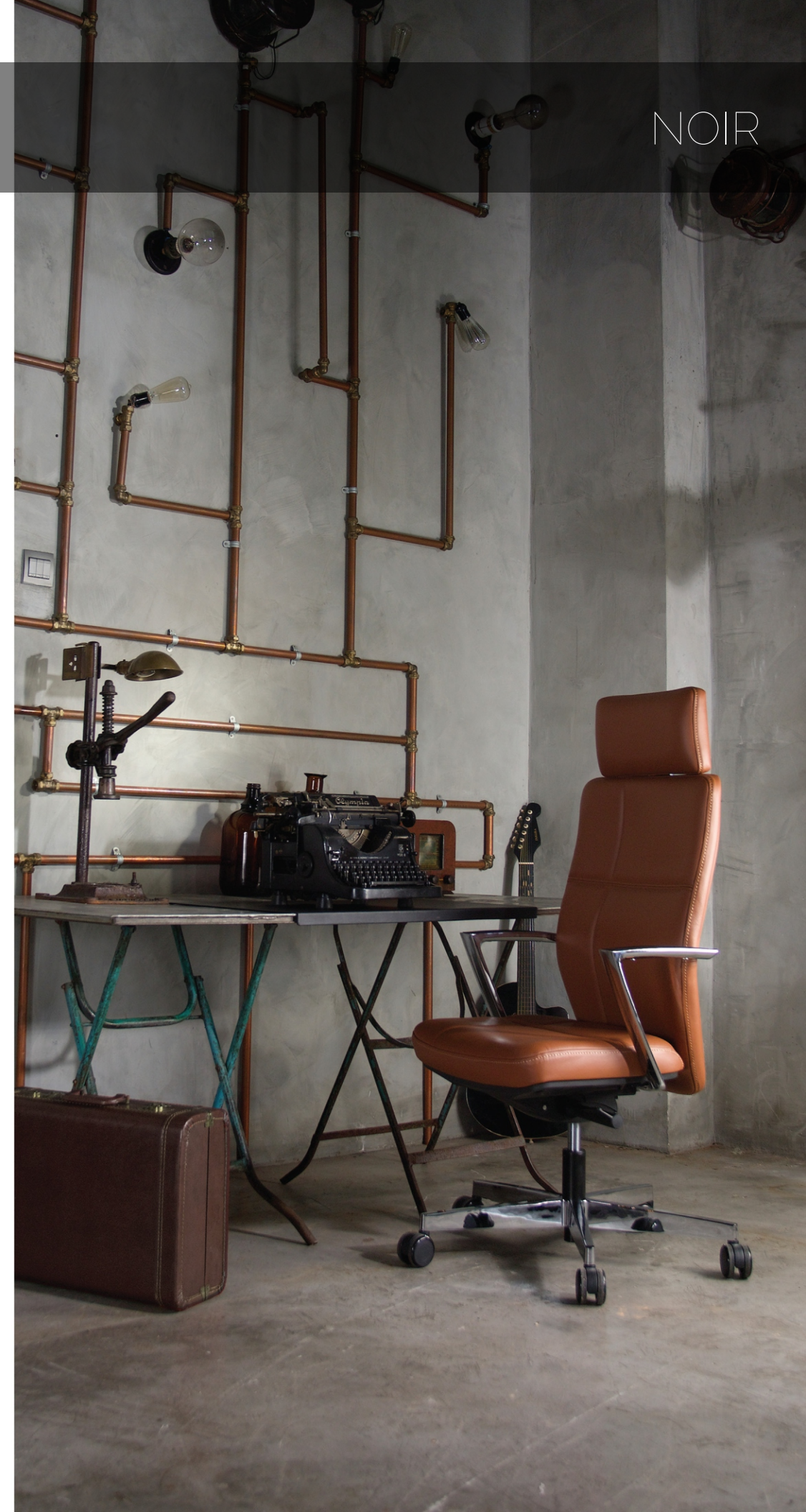
Inspired by the innovative and modern wine producing county in Northern California, Sonoma looks to re-interpret the traditional look of the leather executive chair. Reflecting the sophisticated yet laid back nature of this place, the simple yet elegant aesthetic was conceived to complement both classic and modern executive offices. And just like the wines in Sonoma, the chair has been crafted with precision and great attention to detail, striking a harmonious balance with its high quality materials. The simple lines are bordered by luxurious contrast stitching, evoking the sophistication found in today's sports car interiors.



High Back leather chair with  
chrome base and armrest  
Model 939ZYKC73NC



Mid Back leather chair with  
chrome base and armrest  
Model 938ZYKC73NC



NOIR





**Headrest**

Height-adjustable for a range of 80mm. Moulded polypropylene shells (100% recyclable) with dual density foam. Rear shell is upholstered for leather models, or in White colour (non-upholstered) for fabric models.

**Armrest**

Diecast aluminium armrest (100% recyclable) is chrome-plated for leather models, or powder coated in white epoxy for fabric models. Armpads are moulded of PU integral foam in black.

**Backrest**

Features height-adjustable lumbar support with a range of 80mm. Moulded polypropylene shells (100% recyclable) with dual density foam. Rear shell is upholstered for leather models, or in White colour (non-Upholstered) for fabric models.

**Seat**

Depth-adjustable for a range of 60mm in swivel chair versions. Moulded polypropylene shells (100% recyclable) with 3D-moulded PU foam. The snap-fit seat pad is also user replaceable.

**Mechanism**

A weight-sensing mechanism auto-adjust recline resistance according to user weight. The recline free-range is also adjustable from 0° to 20° in 4-steps.

**Base**

Five-star base of diecast aluminium alloy (100% recyclable) is chrome-plated for leather models, or powder-coated in white epoxy for fabric models. Black 60mm dual wheel castors for lower rolling resistance. Cantilever base of welded 27mm diameter tubular steel (100% recyclable), finished in chrome-plating for leather models, or powder-coated in silver epoxy for fabric models.

**Safety & Durability**

Sonoma is designed and certified to EN-1335 standards for dimensions, safety and durability.

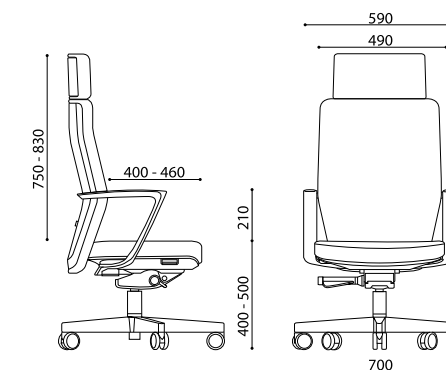
**Leather Model**

**Dimensions (mm)**

**Swivel-Tilt chair with Headrest**



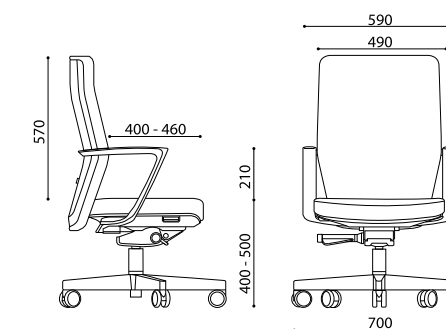
939ZYKC73NC



**Swivel-Tilt chair**



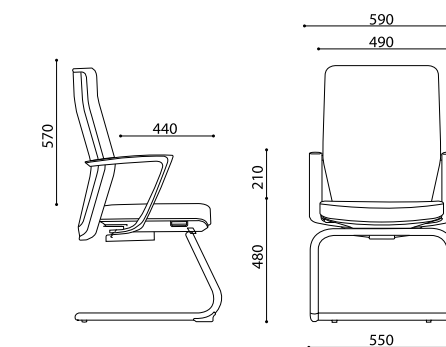
938ZYKC73NC



**Visitor chair**



931ZNAC73C



**Base Options**



350 Chrome Aluminum Base **NC**



Chrome Cantilever Base **C**



**Synchronized Mechanism**



**Tilting Headrest**  
Free-tilting headrest.



**Depth Adjustable Seat**



**Pneumatic Seat Height Adjustment**



**Height Adjustable Lumbar**



**MERRYFAIR®**



[www.monarchergo.com](http://www.monarchergo.com)

**MONARCH**

**Corporate Office**

Monarch Ergo Pvt. Ltd.

# 304, Bhuvana Towers, S D Road,  
Secunderabad 500 003, Telangana, India.

M: +91 9701116999

[contact@monarchergo.com](mailto:contact@monarchergo.com)

Ahmedabad : Bangalore : Chennai : Delhi NCR : Hyderabad : Kochi : Kolkata : Mumbai : Pune : Visakhapatnam

spells comfort at work